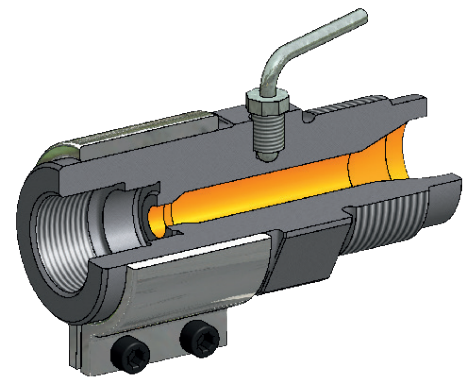


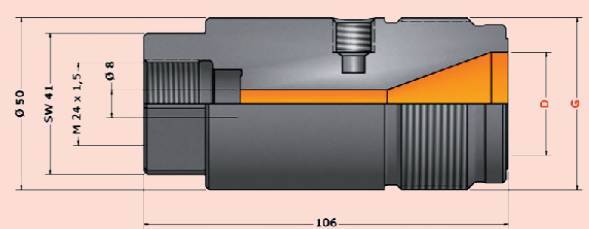
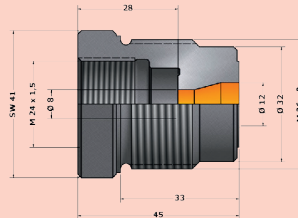
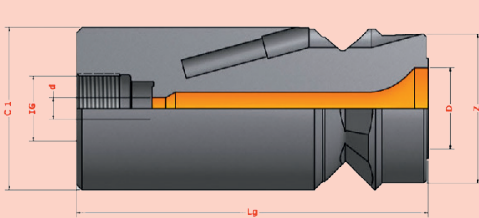
OFS-standard adapters

YOUR BENEFIT:

- ▶ high-quality tool steel
- ▶ vacuum hardened / nitrated
- ▶ contact- and sealing surfaces polished
- ▶ flow channel polished



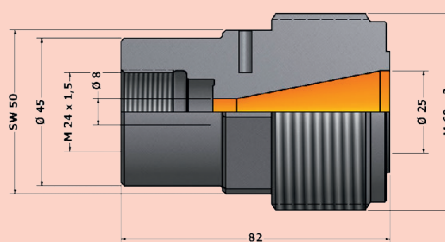
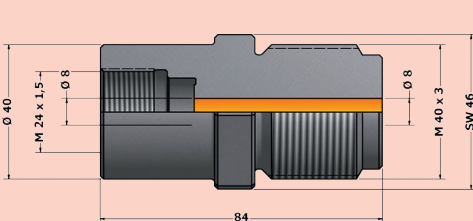
ADAPTERS FOR ARBURG



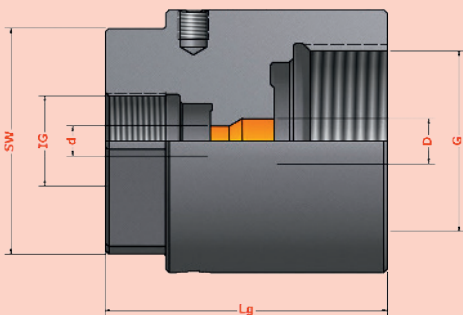
version 1:	version 2:
IG: M 24 x 1,5	IG: M 36 x 2
Z and D as specified	

version 1:	version 2:	version 3:	version 4:
G: M 36 x 2 LH	G: M 45 x 2 LH	G: M 50 x 2 LH	G: M 55 x 2 LH
D as specified			

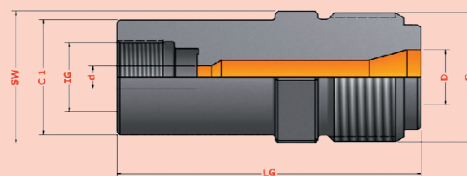
ADAPTERS FOR DEMAG



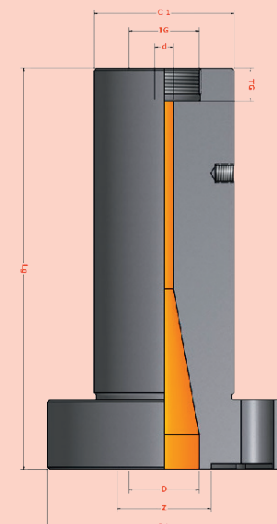
ADAPTERS FOR KRAUSS-MAFFEI



ADAPTERS FOR ENGEL



ADAPTERS FOR FERROMATIK



version 1:	version 2:	version 3:
G: M 48 x 3	G: M 70 x 3	G: M 75 x 3
IG: M 24x1,5 / M 30x2	IG: M 24x1,5 / M 45x2	IG: M 24x1,5 / M 45x2
LG: 75	LG: 110	LG: 110

version 1:	version 2:	version 3:
G: M 28 x 1,5	G: M 45 x 3	G: M 55 x 3
IG: M 24x1,5	IG: M 24x1,5 / M 28x1,5	IG: M 24x1,5 / M 28x1,5
LG: 105	LG: 106	LG: 180