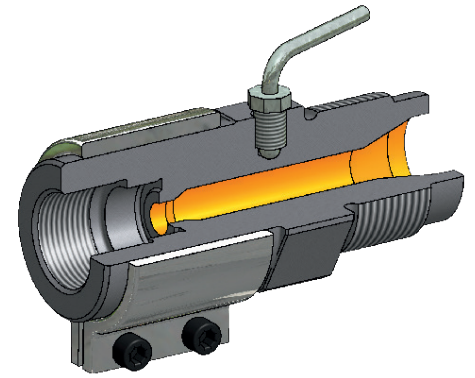


OFS-adapters in standard and special design

OFS-special designed adapters

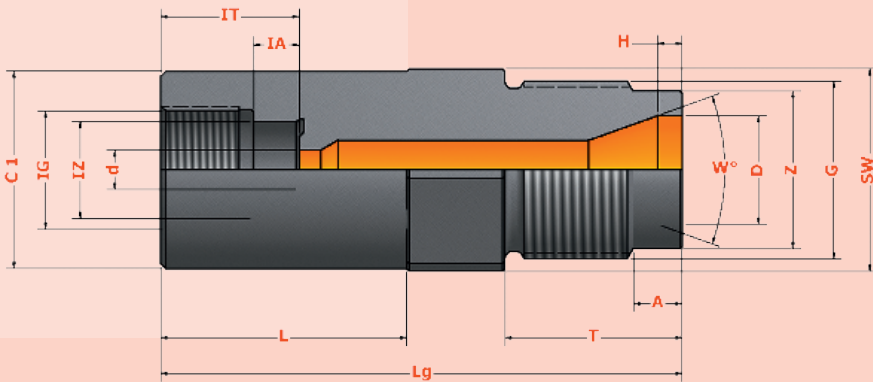


YOUR BENEFIT:

- ▶ high-quality tool steel
- ▶ alternative materials, f.e. powder metal, non-corrosive material, Hastelloy, Ampcoloy, ...
- ▶ vacuum hardened / nitrated
- ▶ contact- and sealing surfaces polished
- ▶ flow channel polished
- ▶ optional with filter- or mixinginsert

MORE OPTIONS:

- ▶ with mixinginsert
- ▶ with filterinsert
- ▶ with needle-valve
- ▶ etc.



REQUIRED MEASUREMENTS (mm)	
head dia	C1
drill	d
length of nozzlehead	L
hexagon	SW
interior thread	mm
screw dia	IG
Maschinenbezeichnung kpl	

REQUIRED MEASUREMENTS (mm)	
depth dia	D
connecting dia	D
alignment dia	Z
thread	G
connecting angle	W°
depth interior thread	TG
length of alignment dia	A
length thread	T
total length	Lg