

OFS-hopper magnets

Universal use hopper magnets to separate ferritic contaminations out of the plastics granules

YOUR BENEFIT

- ▶ high process reliability
- ▶ strong magnetic field through ceramic magnets
- ▶ long lifetime
- ▶ low inflow resistance
- ▶ minimal bridge bonding
- ▶ temperature resistant up to 150 °C

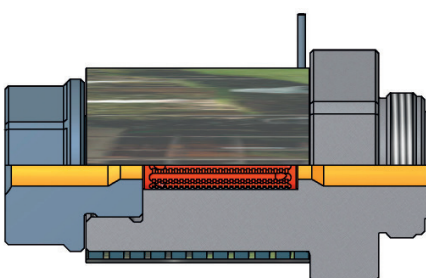
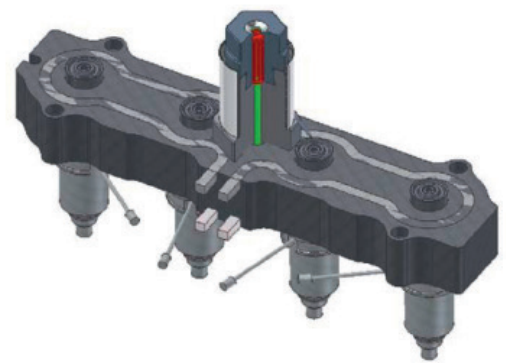


data and measurements	type TM-1	type TM-2	type TM-3	type TM-4
measurements	230 x 230 x 80	180 x 180 x 80	130 x 130 x 80	90 x 90 x 75

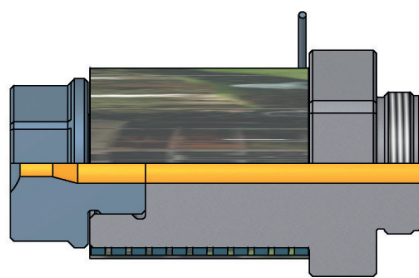
OFS-sprue bush, 2-pieces

High wear resistance and flexibility through hardened, changeable caps.

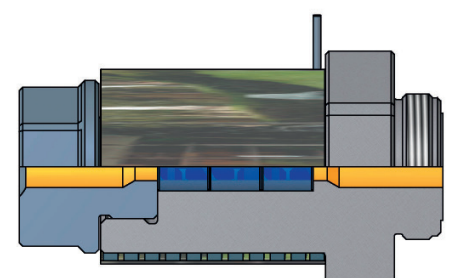
- ▶ hardened and robust changeable cap
- ▶ high wear resistance
- ▶ optionally with wear protection coating
- ▶ cheap and quick replacement if the contact surface or drill is damaged
- ▶ tool-side use of **OFS** filterinserts and **OFS** mixinginserts
- ▶ exact temperature control due to optimal heating
- ▶ customer or tool-specific design



example of an OFS-sprue bush, 2-pieces with OFS-filterinsert / other dimensions on request



example of an OFS-sprue bush, 2-pieces / other dimensions on request



example of an OFS-sprue bush, 2-pieces with OFS-mixinginsert / other dimensions on request